

# Antenna Installation Guide

## Wide-Band Panel Antenna

PART# 301134  
PART# 301135  
PART# 301147  
PART# 301155



The wide-band panel antenna is vertically polarized. For optimum performance, install the antenna with the cable running from the bottom or the top.

## Wilson Signal Boosters Amplify Coverage

When used in conjunction with your antenna, a Wilson Electronics Signal Booster can improve your cell phone and laptop data card coverage area up to 20 times. Wilson Electronics manufactures a wide range of wireless and direct-connect signal boosters for mobile or in-building use. See your dealer for details or visit [www.WilsonElectronics.com](http://www.WilsonElectronics.com).



### Inside this Package:



Wide-Band  
Panel Antenna  
(301134, 301135,  
301147, 301155)



Antenna Installation Kit

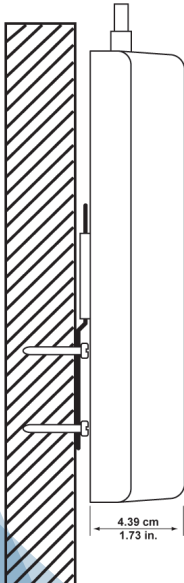
### Optional:



In-Wall Mounting  
Bracket  
(901123)

## Inside Antenna Wall Installation (part # 301135, 301147 & 301155)

To be used as an outside antenna which communicates with the cell phone



Find the desired location for the panel antenna. Verify that the panel antenna and the outside antenna have the necessary separation (see signal booster instructions for requirements.)

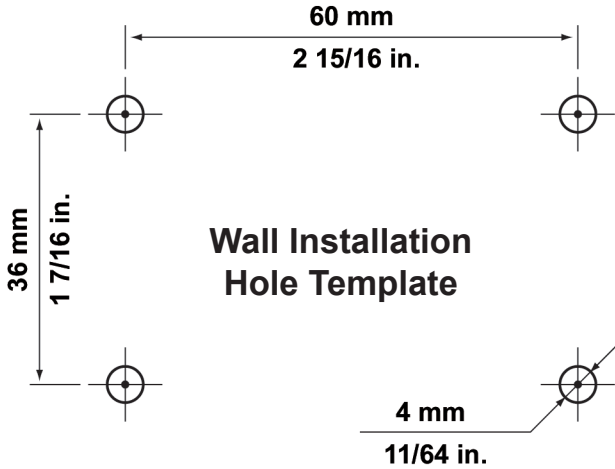
For optimum results, the antenna should be mounted a minimum of 6 feet from the floor. Place the template where the panel antenna is to be installed.

Attach the template with masking tape or other suitable adhesive tape.

Drill out the four holes as indicated on the template. Install wall anchors provided with a small hammer. Place the mounting bracket over the wall anchors, insert the screws and tighten. Slide the panel onto the installation bracket.

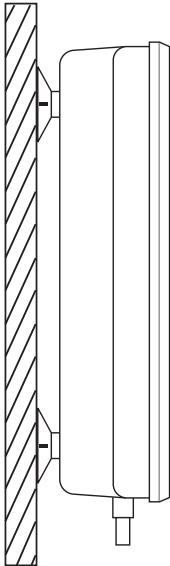
1

Contact Wilson Electronics Technical Support Team with any questions at 866-294-1660  
Or email: [tech@wilsonelectronics.com](mailto:tech@wilsonelectronics.com) Hours: 7am to 6pm MST.



**Outside Antenna Window (part # 301134)**

To be used as an outside antenna which communicates with the cell tower



Find the window that faces the direction of the nearest cell tower. The signal strength function on your cell phone can help you determine this. See the Technical Support section of Wilson Electronics website, [www.WilsonElectronics.com](http://www.WilsonElectronics.com), for instructions on accessing the signal strength function on your particular phone.

Choose an inside window location where the antenna will be hung. Clean the window and the suction cups with the alcohol swab.

It is important that the small tabs on each suction cup be facing outward so they may be used to remove the antenna from the window if desired. Use firm and even pressure to attach the antenna to the window without breaking the glass. Avoid excessive or sudden pressure against the glass.

For a more permanent installation, remove the suction cups and use the two-sided tape to affix the antenna.

**Adjusting the Antenna for Maximum Performance**

Put the cell phone in test mode and turn the Yagi in 10-degree increments while checking the cell phone's signal level. At each point you may need to wait a few seconds as your cell phone updates. To find your phone's test mode, visit [www.WilsonElectronics.com](http://www.WilsonElectronics.com). Signal readings usually appear as a negative number (for example, -86). The larger the number, the more powerful the signal (-75 is stronger than -84).

### 30-Day Money-Back Guarantee

All Wilson Electronics products are protected by Wilson Electronics 30-day money-back guarantee. If, for any reason, the performance of any product is not acceptable, simply return the product directly to the reseller with a dated proof of purchase.

### 90-Day Warranty

Wilson Electronics antennas are warranted for ninety (90) days against defects in workmanship and/or materials. Warranty cases may be resolved by returning the product directly to the reseller with a dated proof of purchase.

Antennas may also be returned directly to the manufacturer at the consumer's expense, with a dated proof of purchase and a Returned Material Authorization (RMA) number supplied by Wilson Electronics. Wilson Electronics shall, at its option, either repair or replace the product. Wilson Electronics will pay for delivery of the repaired or replaced product back to the original consumer.

This warranty does not apply to any antennas determined by Wilson Electronics to have been subjected to misuse, abuse, neglect, or mishandling that alters or damages physical or electronic properties.

RMA numbers may be obtained by phoning Technical Support at 866-294-1660.

Disclaimer: The information provided by Wilson Electronics, Inc. is believed to be complete and accurate. However, no responsibility is assumed by Wilson Electronics, Inc. for any business or personal losses arising from its use, or for any infringements of patents or other rights of third parties that may result from its use.

Copyright © 2011 Wilson Electronics, Inc. All rights reserved.

## Antenna Specifications

Part Number	301134	301135	301147	301155
Frequency Range	700-2700 MHz			
Impedance	50 ohms			75 ohm
Gain	4 dBi / 10 dBi			
Polarization	Vertical			
Beamwidth Horizontal Plane	70 / 60 Deg			
Beamwidth Vertical Plane	50 / 45 Deg			
Max Power	50 watts			
Connector	N-Female			F-Female
Dimension	8.27 x 7.09 x 1.73 (inch) / 21 x 18 x 4.39 (cm)			
Weight	1.32 lbs / 0.6 kg			



3301 East Deseret Drive, St. George, UT 84790

For additional Technical Support visit [www.WilsonElectronics.com](http://www.WilsonElectronics.com)

or email at: [tech@wilsonelectronics.com](mailto:tech@wilsonelectronics.com)

Phone: 866-294-1660 Local: 435-673-5021 Fax: 435-656-2432

[www.twitter.com/WilsonCellular](http://www.twitter.com/WilsonCellular) [www.facebook.com/WilsonCellular](http://www.facebook.com/WilsonCellular)